



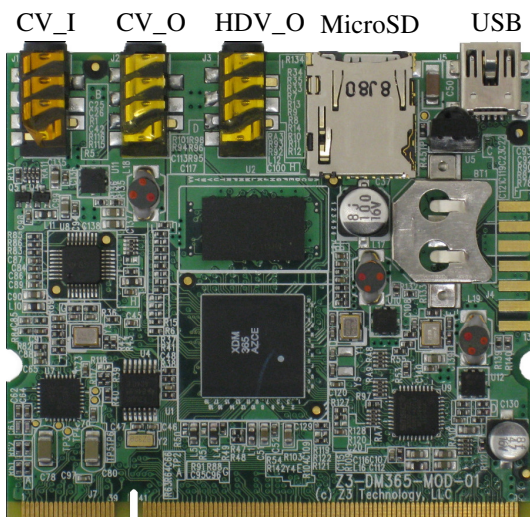
Z³
Technology, LLC

Low Power H.264 HD Solution

Product Part Number Z3-DM365-MOD

EXPERIENCE NEXT GENERATION TECHNOLOGY TODAY!

Applications
Low Bandwidth Video Security
Battery Powered A/V Recorder
Embedded Solid-State DVR
Video Frame / Digital Signage
Portable Multimedia Appliance
Industrial Applications
HD Embedded Video Sub-System



Actual Size

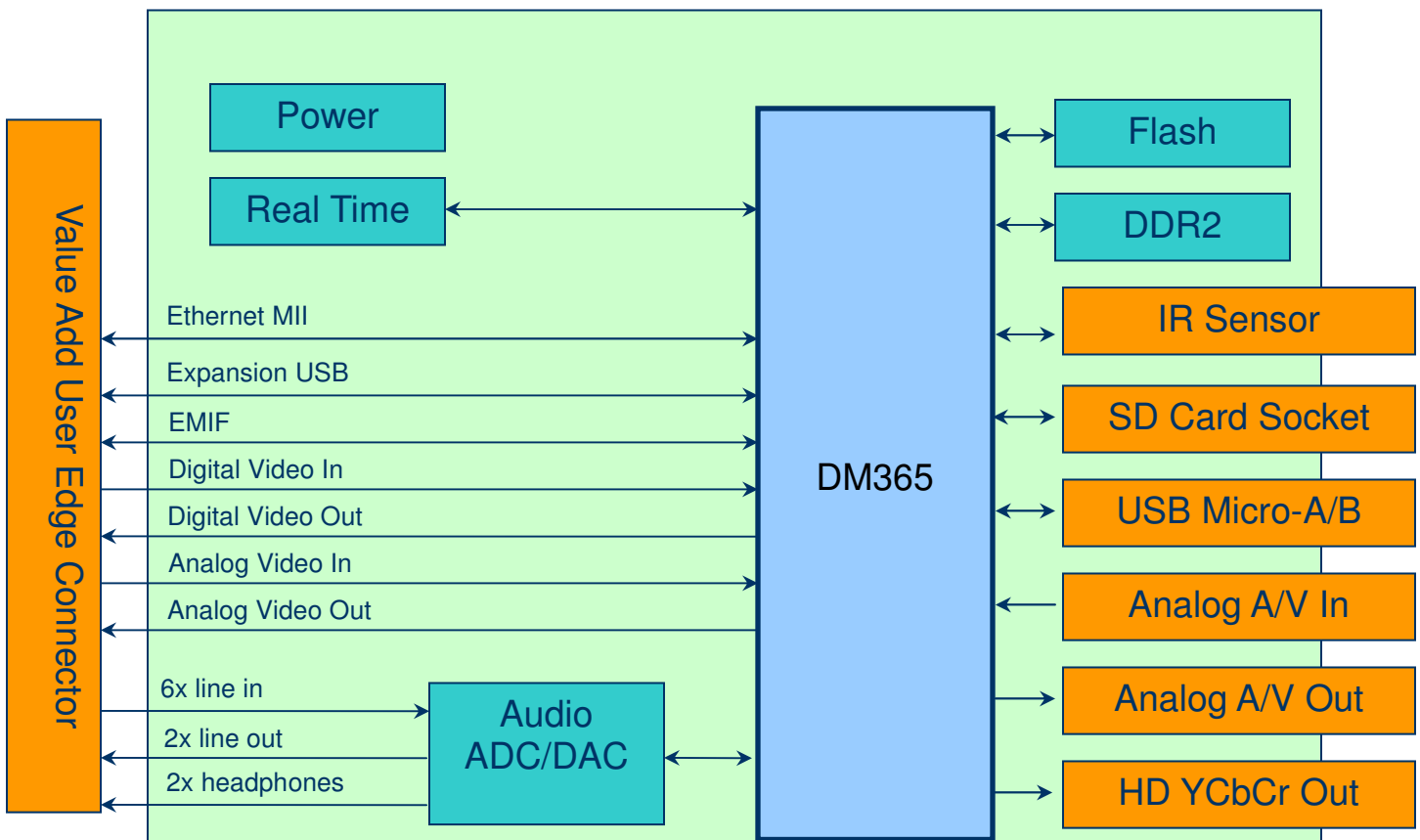
Contact Z³ Technology for customized product options

Phone: +1.402.323.0702

sales@z3technology.com

www.z3technology.com

© Copyright 2009 Z³ Technology, LLC. All rights reserved.



Features & Benefits

- Includes **DM365** low power multimedia DaVinci™ technology from Texas Instruments
- **Linux 2.6.2x and GStreamer** multimedia enabled
- Self contained pocket-sized (60mmx 67mm) Multimedia Device
- H.264 MP 720p 30fps encode or decode
- Battery powered or power over USB 2.0
- Includes A/V composite In/Out and HD Output on module
- All Analog/Digital A/V signals available via edge connector
- Supports up to 32GB micro-SDHC card for media storage
- Infrared control
- Flash memory options available from 32MB to 2GB
- Edge connector for connection to application board
- Linux OS, multimedia software and SDK available for application development and system integration

Contact Z³ Technology for customized product options

Phone: +1.402.323.0702
 sales@z3technology.com
 www.z3technology.com