



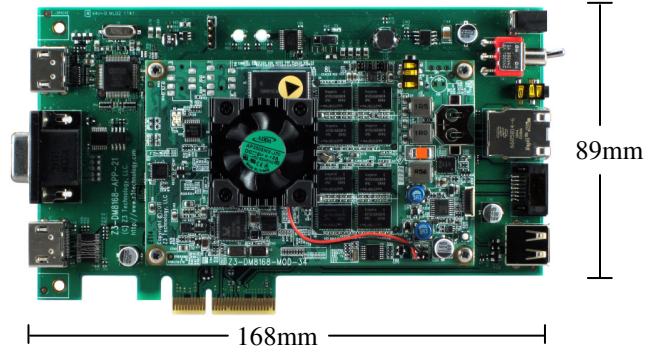
Z³
Technology, LLC

PCIe H.264 1080p60 System

Product Part Number Z3-DM8168-PCI-RPS

DON'T REINVENT VIDEO, Z3 SLASHES TIME TO MARKET!

Applications
Medical and Industrial Video
Real Time Transcoding at 1080p60
Video Security and Industrial DVR
Vision, Image Processing HD Video
Video Conference Terminal



Z3-DM8168-PCI-RPS OEM-Ready System Contains:

Benefits:

- Fully integrated hardware and software audio/video system
- Ready to use, out of the box commands for encoding, decoding and streaming
- Cost effective design, ready for manufacturing volumes
- Supports H.264 multichannel in all video resolutions from QCIF to 1080p60
- Versatile encoding modes such as low latency, high quality, low bit rate, etc.
- Full A/V synchronization even after hours of recording

Hardware:

- One **Z3-DM8168-MOD-3X** OEM-ready SOM
- 68mm x 108mm
- 1GB, 256MB Flash
- One **Z3-DM8168-APP-21** application board
- 89mm x 168mm, SD/MMC card socket
- Dual channel concurrent inputs
 - 1x HDMI input, up to 1080p60, with embedded audio
 - 1x analog component inputs, up to 1080i with analog stereo audio
- GigE, USB 2.0 Host, SATA, HDMI output, Serial
- 4-lane PCIe

Software:

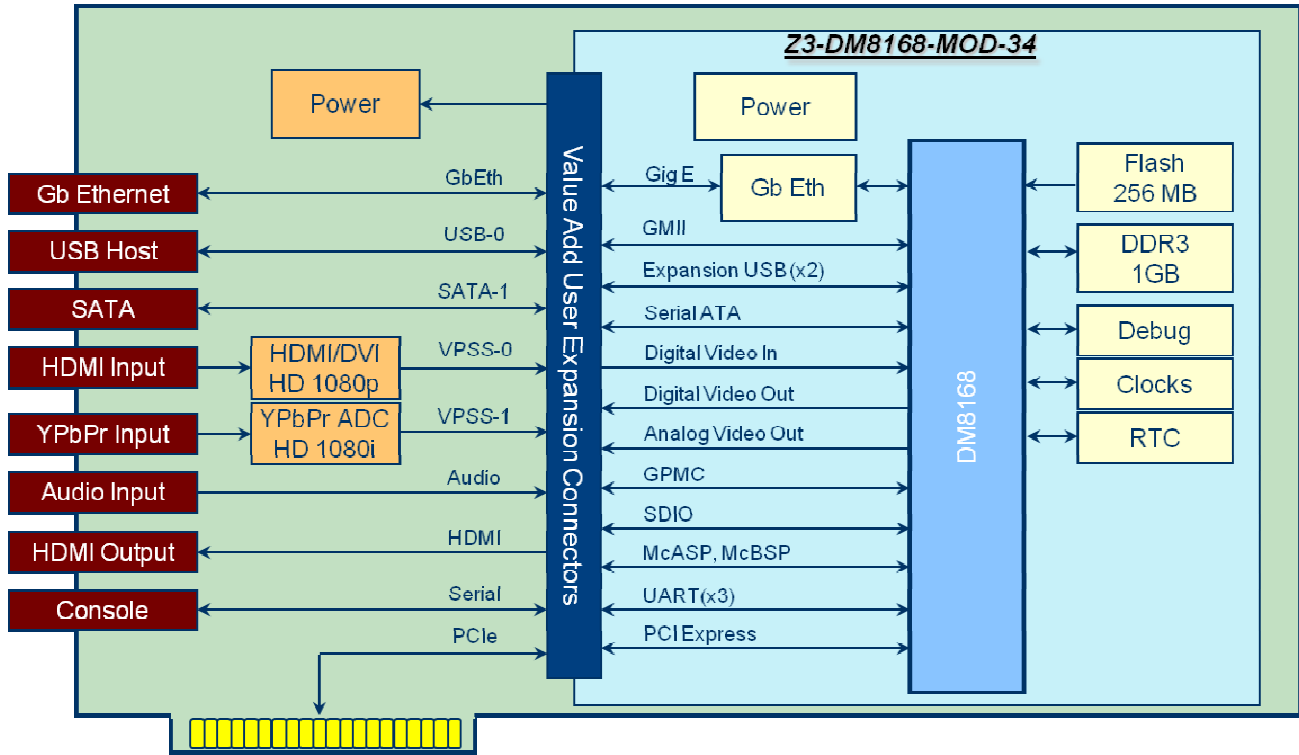
- Pre-loaded, OEM-ready **Video Application Executable** commands
 - **Streaming H.264 encoder up to 1080p60**
 - H.264 video, from QCIF to 1080p/i at 60 fps; AAC or PCM audio
 - Fully controllable parameters: resolution, max bit rate, GOP, on-the-fly bit rate control, ... etc.
 - Low latency mode
 - RTP or MPEG-2 TS (optional) output
 - **Streaming decoder**
 - H.264 video from QCIF to 1080p/i at up to 60 fps with audio
 - Flexible resizer allows full frame display of smaller resolutions
 - RTP or MPEG-2 TS (optional) support
 - **File-based Transcoder (optional)**
 - MPEG-2 to H.264 up to 1080p60
 - AAC and LPCM audio support
- OpenMAX-IL framework
- Gstreamer support (Optional)
- Source code license available
- UBL, Linux 2.6, u-boot, root file-system, NAND boot, tool chain, flash programming tool
- Includes 4 hours of technical email/telephone support

Contact Z³ Technology for customized product options

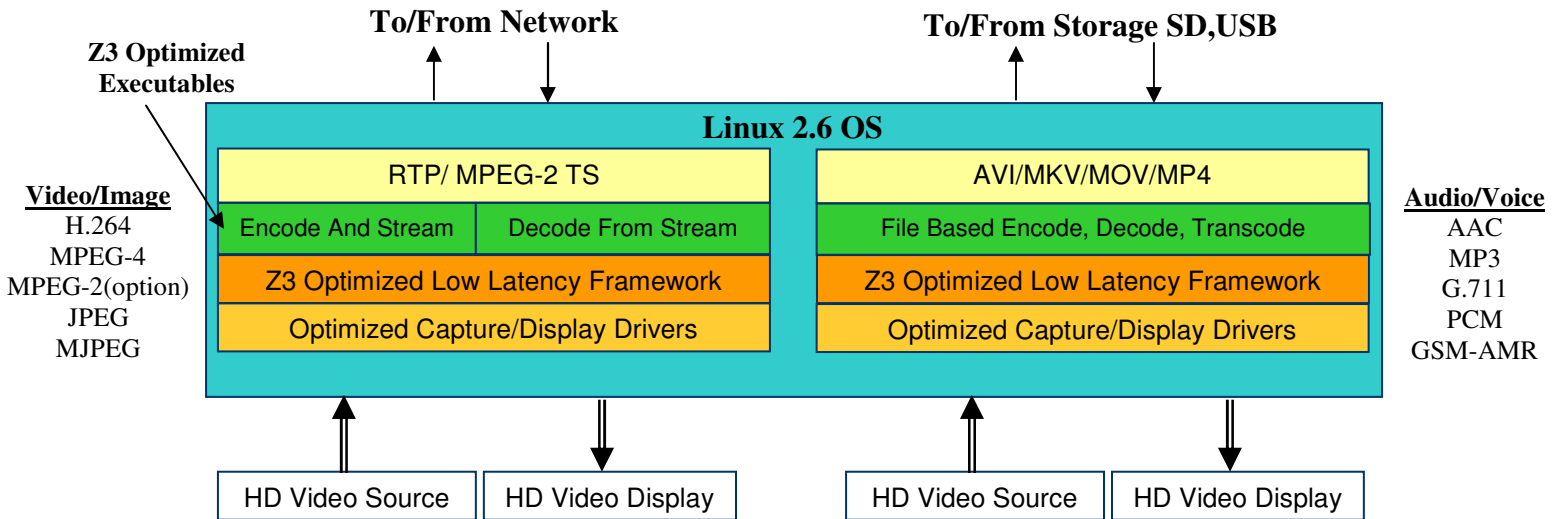
Phone: +1.402.323.0702
sales@z3technology.com
www.z3technology.com



Z3-DM8168-PCI-RPS HW/SW Block Diagrams



Z3-DM8168-APP-21 + Z3-DM8168-MOD-34



Contact Z3 Technology for customized product options

Phone: +1.402.323.0702
 sales@z3technology.com
 www.z3technology.com