



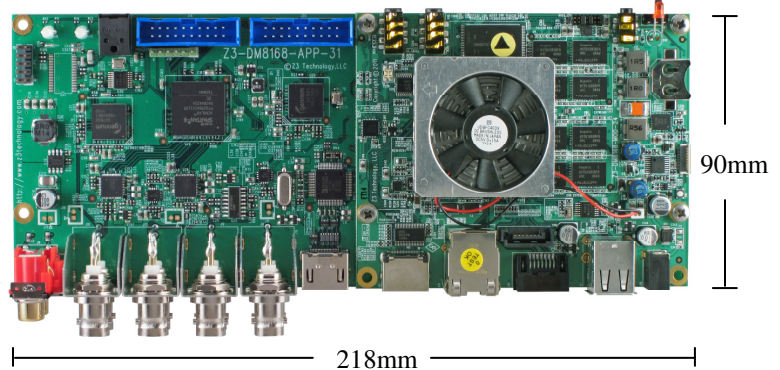
Z³
Technology, LLC

Video Infrastructure 1080p60 System

Product Part Number Z3-DM8168-VI-RPS

DON'T REINVENT VIDEO, Z3 SLASHES TIME TO MARKET!

Applications
Broadcast Video Encoding and Decoding
Real Time Transcoding at 1080p60
Security and Surveillance
Video Conferencing
Industrial Video Processing



Z3-DM8168-VI-RPS OEM-Ready System Contains:

Benefits:

- Fully integrated hardware and software audio/video system
- Ready to use, out of the box commands for encoding, decoding and streaming
- Cost effective modular design, ready for manufacturing volumes
- Supports H.264 multichannel in all video resolutions from QCIF to 1080p60
- Versatile encoding modes such as low latency, high quality, low bit rate, etc.
- High quality digital video I/O including HDMI
- SDI output can be genlocked to SDI or Component input

Hardware:

- One **Z3-DM8168-MOD** OEM-ready video SOM
- 88mm x 108mm
- 1024 MB DDR3, Flash, SATA, GigE, USB 2.0
- HDMI, YPbPr and Composite Video Out
- Multiple digital video and audio I/O ports
- One **Z3-DM8168-APP-31** application board
 - 90mm x 218mm
 - 3G HD-SDI Input
 - ASI Input/Output
 - YPbPr Input
 - HDMI Input
 - 2x analog stereo audio

Software:

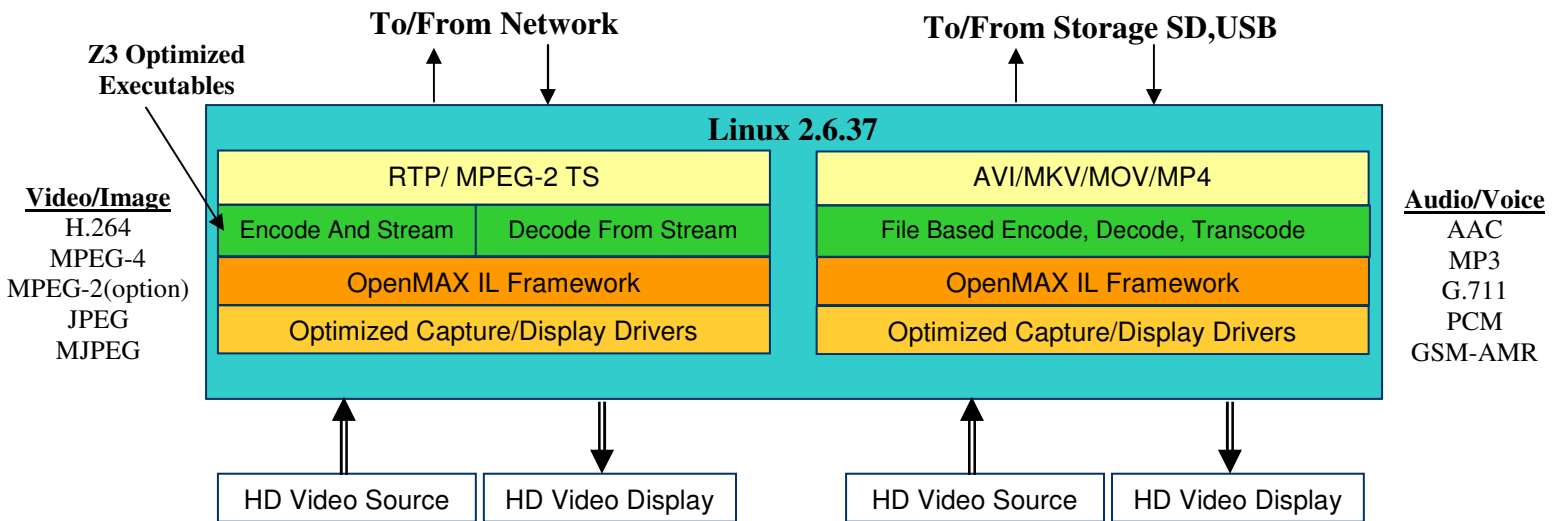
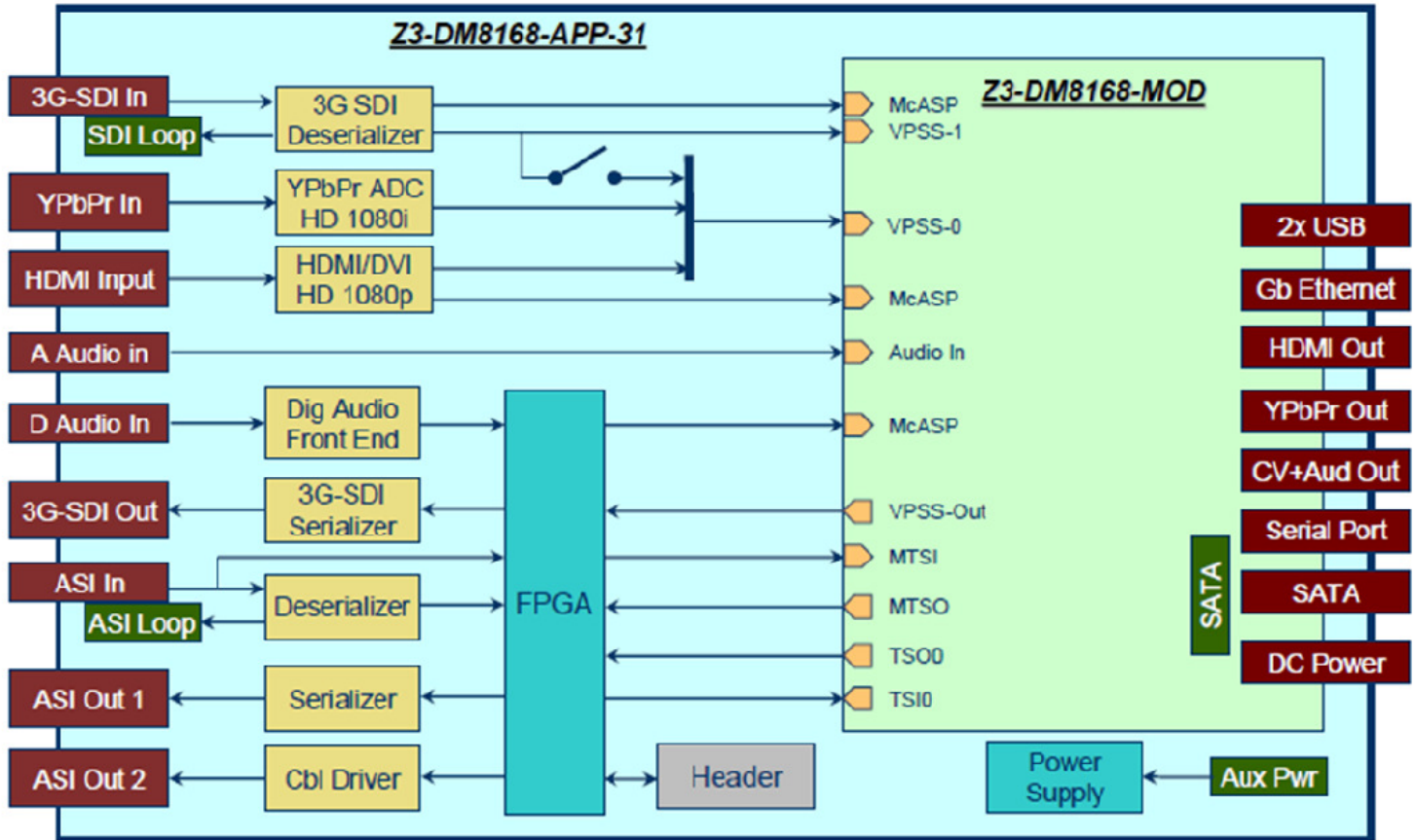
- Pre-loaded encoder and decoder applications
 - **Streaming H.264 encoder up to 1080p60**
 - H.264 video up to 1080p60 fps with PCM audio
 - RTP and MPEG-2 TS streaming output
 - **Streaming decoder**
 - H.264 video from QCIF to 1080p60
 - Arbitrary resolution scaler
 - Scale small resolutions to full screen
 - Scale large resolutions to window size
 - RTP and MPEG-2 TS input support
 - **File-based Transcoder**
 - MPEG-2 to H.264 up to 2K x 2K (optional)
 - AAC and LPCM audio support
- OpenMAX-IL framework
- Gstreamer support (optional)
- Source code license available
- Linux 2.6.37, u-boot, root file-system, NAND boot, tool chain, flash programming scripts
- Includes FPGA firmware
- 4 hours of email/telephone technical support

Contact Z³ Technology for customized product options

Phone: +1.402.323.0702
sales@z3technology.com
www.z3technology.com



Z3-DM8168-VI-RPS HW/SW Block Diagrams



Contact Z3 Technology for customized product options

Phone: +1.402.323.0702
 sales@z3technology.com
 www.z3technology.com